

CUT S192-193

Francesco Rota | 2013



CUT

Francesco Rota | 2013

Two elements are enough, at opposite ends, in plastic and fabric. Just bring them together, give the former an external shape and the latter a soft interior. Or you can change everything and leave the colour and tactile pleasure of the fabric weave to embrace every part. Just choose from the countless combinations available, and you have CUT, the armchair with a versatile character. There is no room for inflexibility.



CUT

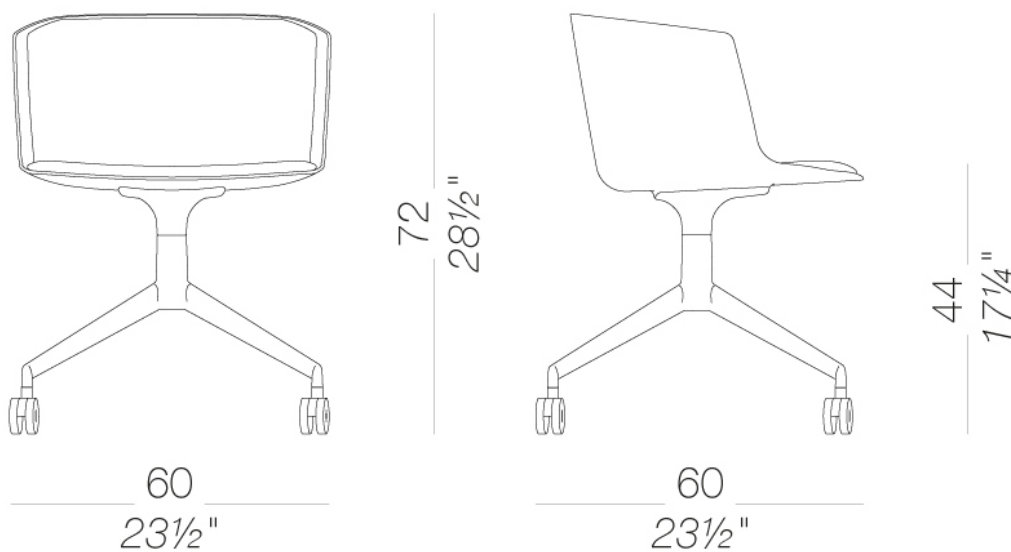
Francesco Rota | 2013

S192-193 4-spoke base, on castors

CUT | S139-140 S147-148 S151/1-152/1 S180-181 S184-185 S186-187 S188-189 S190-191 S192-193

Chair with Baydur® polyurethane shell, white or black, only front or fully upholstered with fabric or leather. Bases can be fixed or height-adjustable with castors, either in mat chromed or powder coated metal or ashwood. Swivel bases are made of sandblasted or powder coated die-cast aluminium.

TEST 1 IM - Steelcut



CUT S192-193

Francesco Rota | 2013

frame



powder coating
black
1 Colors



powder coating
white
1 Colors



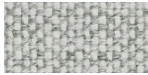
metal
aluminium
1 Colors

shell



plastics
Baydur®
2 Colors

upholstery



fabric
Hallingdal 65
47 Colors



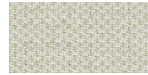
fabric
Canvas 2
40 Colors



fabric
Steelcut Trio 3
48 Colors



fabric
Remix 2
24 Colors



fabric
Clara 2
24 Colors



fabric
Fiord
24 Colors



fabric
Divina MD
24 Colors



fabric
Divina Melange 2
24 Colors



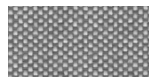
fabric
Tonica 2
39 Colors



fabric
Medley
37 Colors



fabric
Swing
24 Colors



fabric
Maya
43 Colors



fabric
Jet
44 Colors



fabric
Laser J Flash
24 Colors



soft-leather
soft-leather
7 Colors



ecoleather
GRIMM FR
24 Colors

consult the portfolio for the range of colors, fabrics, eco-leather, soft-leather.

use and maintenance instructions

Clean all parts in wood, leather, fabric and metal with a damp cloth or a diluted neutral cleaner. Do not use cleaners with alcohol, bleach, solvent or abrasive products. Any liquid spilt on the product must be wiped up immediately. When lifting or moving the product, hold it on the structure and not under the seat. The product should not be subjected to unbalanced weights, as it is designed for a proper rest on the foothold (on four legs or on the base). Our company relieves from any responsibility in case of damage caused to fragile floors. Avoid any improper use of the product: do not step on the product, on the footrest or on the armrests. Avoid any movements that could compromise the proper functionality of the product or the safety of the users. Wood and leather, being natural materials, could be easily damaged. Small impurities or imperfections are within quality standard range. Do not expose the product to weather conditions or atmospheric agents, nor to heat sources over 40°C. Also products for outdoor use could be afflicted by atmospheric agents. The product could undergo possible exterior changes due to particular exposure to heat, humidity and saltiness. An appropriate and frequent maintenance and cleaning of the product enhances its durability. The product could change colour and shade, if exposed to direct sunlight. Maintenance has to be carried out by experienced staff. Dispose of the package only after assembling the product, in order to avoid the loss of ironmongery and components. Once the product has been dismantled, the product itself or its components must be given to the public garbage disposal system, according to the legislation in force.